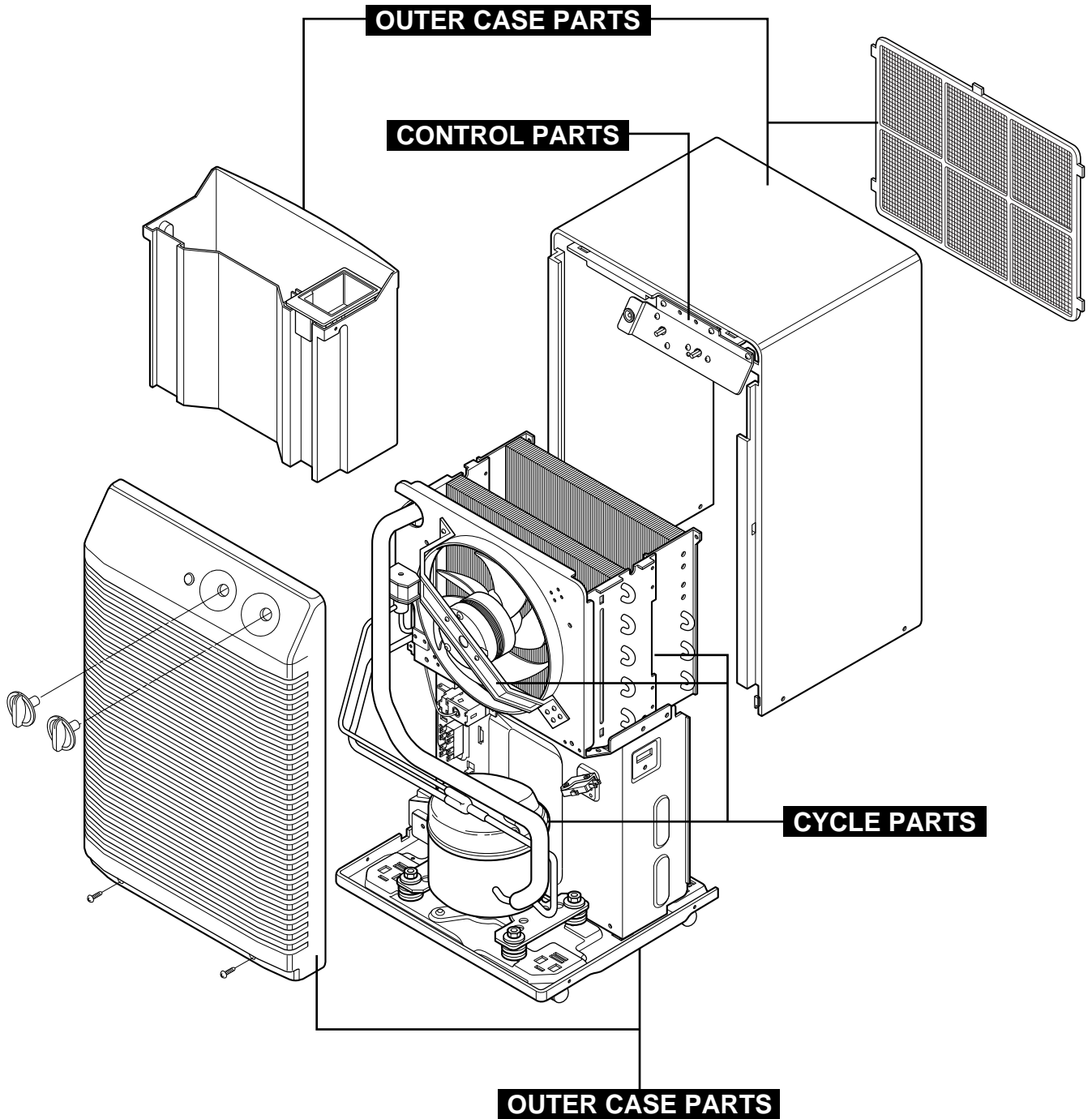
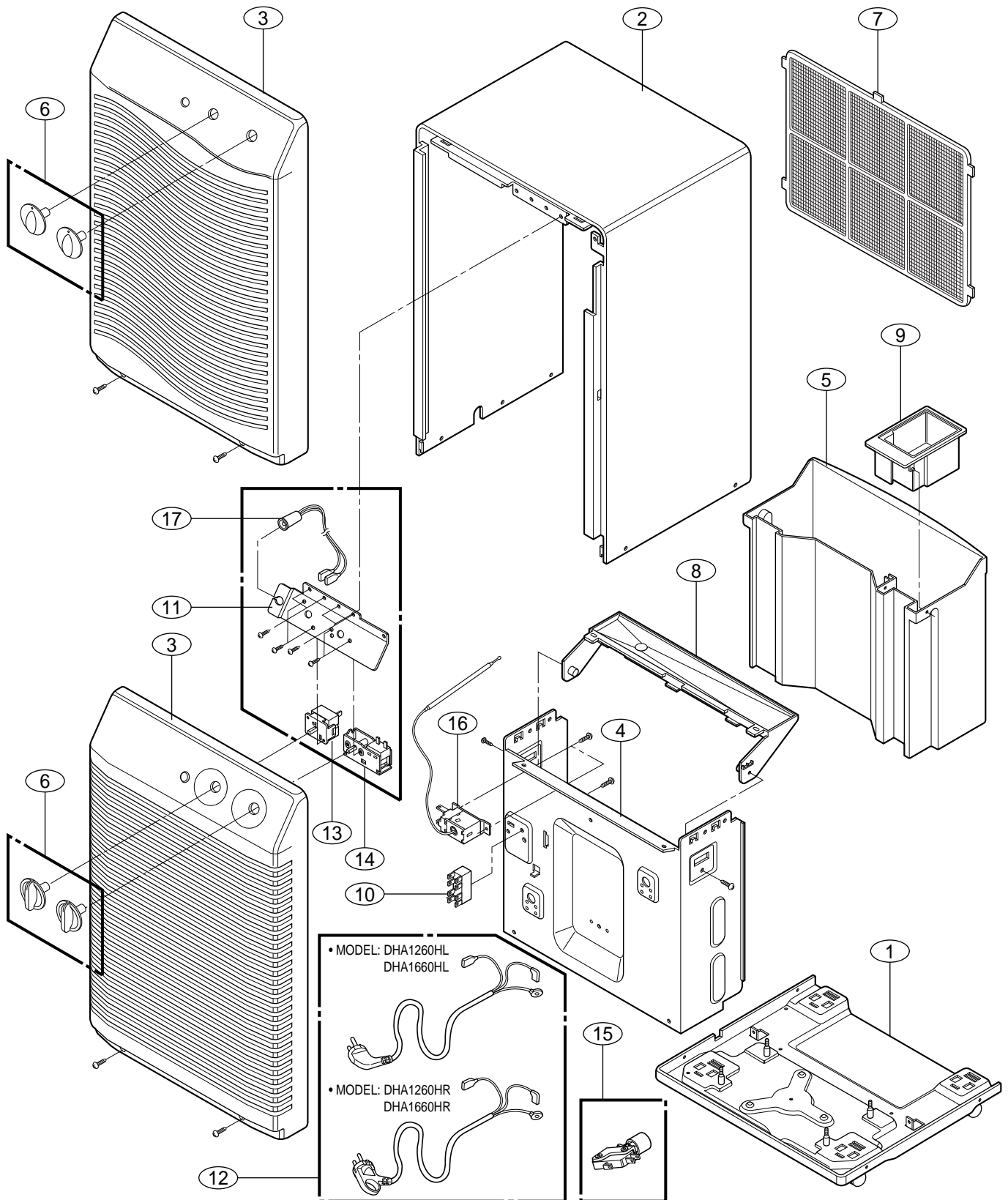


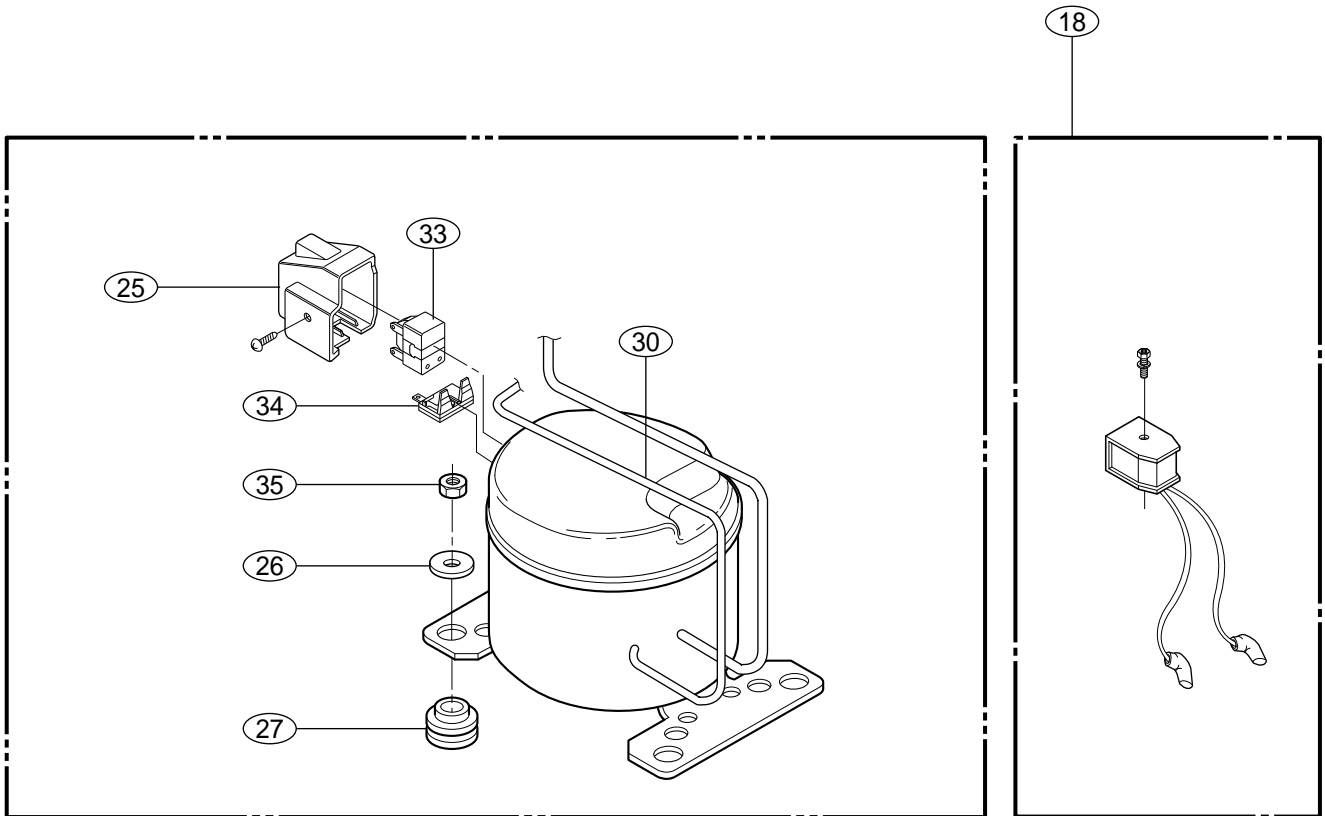
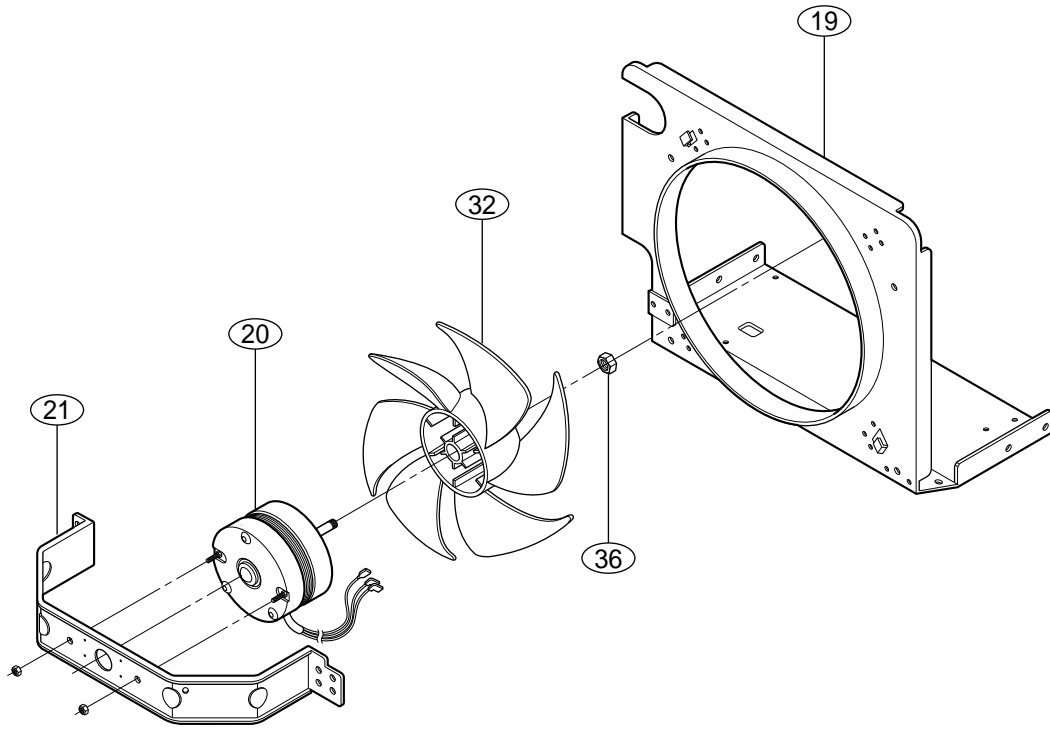
5. EXPLODED VIEW - INTRODUCTION



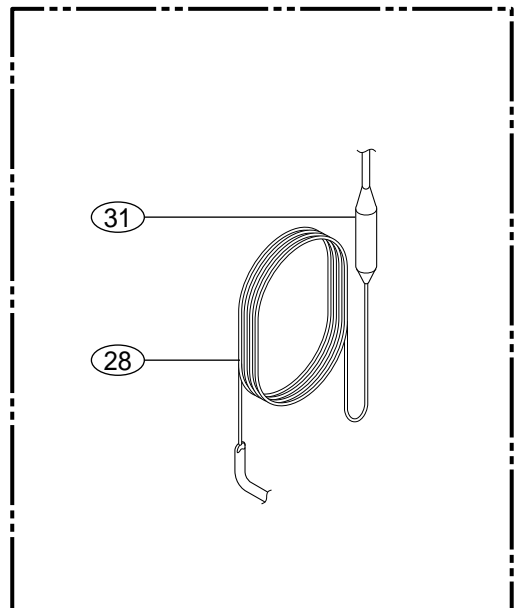
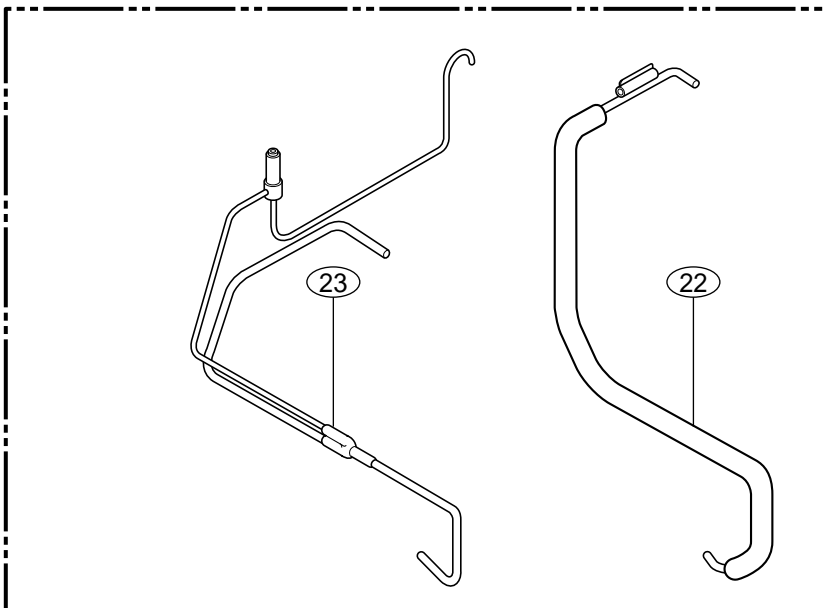
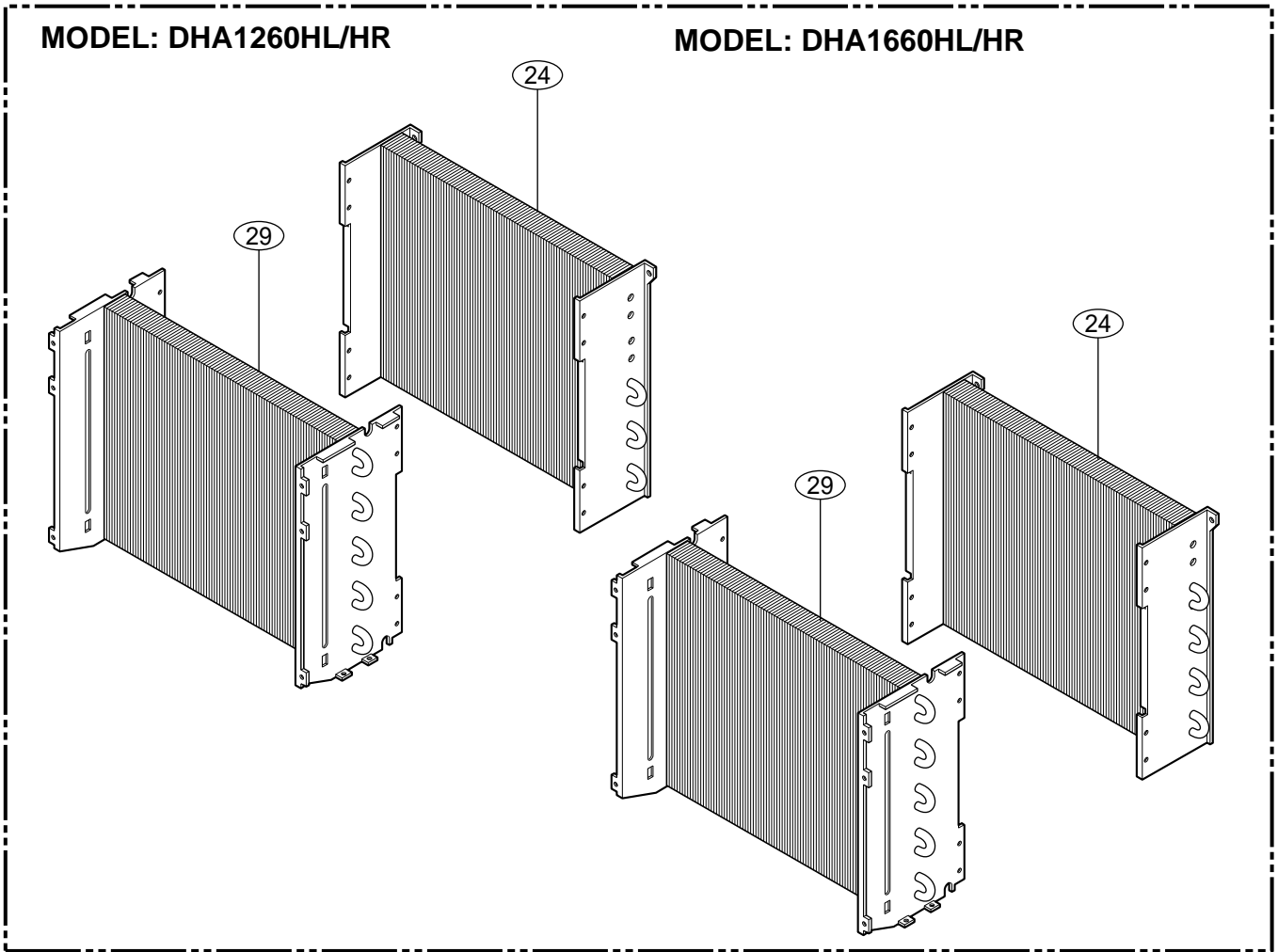
• OUTER CASE PARTS AND CONTROL PARTS



• CYCLE PARTS AND CONTROL PARTS



• CYCLE PARTS



6. REPLACEMENT PARTS LIST

• MODEL: DHA1260HL/HR

LOCATION NO.	PART NO.		DESCRIPTION	Q'TY PERSET	RE-MARKS
	DHA1260HL	DHA1260HR			
OUTER CASE PARTS					
1	3041AD2007B		BASE ASSEMBLY WELD [SINGLE]	1	R
2	3090A10001E	3090A10001E	CABINET	1	R
3	3531A20012C	3531A20014D	GRILLE ASSEMBLY, FRONT	1	R
4	4790AD2003B		BARRIER, SINGLE	1	R
5	4838A10001A	4838A10001A	TANK, BUCKET	1	R
6	4941A30002A	4941A30008A	KNOB ASSEMBLY	2	R
7	5230AD3005A	5230AD3005A	FILTER MECH, AIR	1	R
8	3086AD2014C	3086AD2014F	DRAIN PAN	1	R
9	4768A30001A	4768A30001A	FLOAT	1	R
10	3H00390A		TERMINAL, BLOCK	1	R
CONTROL PARTS					
11	3720AD3004A		PANEL, CONTROL	1	R
12	2H01159Y	6411A20001B	POWER CORD ASSEMBLY	1	R
13	6600A20001A		SWITCH, ROTARY	1	R
14	5216A20001A		HUMIDISTAT	1	R
15	6600A30003B		SWITCH ASSEMBLY, MICRO	1	R
16	2H01127E		THERMOSTAT ASSY	1	R
17	6912A30001B		LAMP, NEON	1	R
18	6421A90001C		SOLENOID COIL	1	R
CYCLE PARTS					
19	4998AD2002A		SHROUD	1	R
20	4681A20002D		MOTOR ASSEMBLY, SINGLE	1	R
21	4960AD3003A		MOUNT, MOTOR	1	R
22	5211A30195A		TUBE ASSEMBLY, SUCTION	1	R
23	5211A30194A		TUBE ASSEMBLY, DISCHARGE	1	R
24	5421A20004D		EVAPORATOR ASSEMBLY	1	R
25	3550C-0021A		COVER, P.T.C.	1	R
26	4H00972G		WASHER, PLAIN	4	R
27	5040AR4195A		ISOLATOR, COMP.	4	R
28	5211A30008D		TUBE ASSEMBLY, CAPILLARY	1	R
29	5403A20001C		CONDENSER ASSEMBLY	1	R
30	5416A20009A		COMPRESSOR, RECIPRO	1	R
31	5851A30001A		DRIER ASSEMBLY	1	R
32	5900AD2013A		FAN ASSEMBLY, PROPELLER	1	R
33	6748C-0003C		P.T.C. ASSEMBLY	1	R
34	6750C-0005M		O.L.P.	1	R
35	1NHA0801206		NUT, HEXAGON (1)	4	R
36	4H02861A		FAN NUT	1	R

i S: SERVICE PARTS A: ALTERNATE PARTS N: NOT SERVICE PARTS

• **MODEL: DHA1660HL/HR**

LOCATION NO.	PART NO.		DESCRIPTION	Q'TY PERSET	RE-MARKS
	DHA1660HL	DHA1660HR			
OUTER CASE PARTS					
1	3041AD2007B		BASE ASSEMBLY WELD [SINGLE]	1	R
2	3090A10001E	3090A10001E	CABINET	1	R
3	3531A20012C	3531A20014D	GRILLE ASSEMBLY, FRONT	1	R
4	4790AD2003B		BARRIER, SINGLE	1	R
5	4838A10001A	4838A10001A	TANK, BUCKET	1	R
6	4941A30002A	4941A30008A	KNOB ASSEMBLY	2	R
7	5230AD3005A	5230AD3005A	FILTER MECH, AIR	1	R
8	3086AD2014C	3086AD2014F	DRAIN PAN	1	R
9	4768A30001A	4768A30001A	FLOAT	1	R
10	3H00390A		TERMINAL, BLOCK	1	R
CONTROL PARTS					
11	3720AD3004A		PANEL, CONTROL	1	R
12	2H01159Y	6411A20001B	POWER CORD ASSEMBLY	1	R
13	6600A20001A		SWITCH, ROTARY	1	R
14	5216A20001A		HUMIDISTAT	1	R
15	6600A30003B		SWITCH ASSEMBLY, MICRO	1	R
16	2H01127F		THERMOSTAT ASSY	1	R
17	6912A30001B		LAMP, NEON	1	R
18	6421A90001C		SOLENOID COIL	1	R
CYCLE PARTS					
19	4998AD2002A		SHROUD	1	R
20	4681A20002D		MOTOR ASSEMBLY, SINGLE	1	R
21	4960AD3003A		MOUNT, MOTOR	1	R
22	5211A30195B		TUBE ASSEMBLY, SUCTION	1	R
23	5211A30194A		TUBE ASSEMBLY, DISCHARGE	1	R
24	5421A20004E		EVAPORATOR ASSEMBLY	1	R
25	3550C-0022A		COVER, P.T.C.	1	R
26	4H00972G		WASHER, PLAIN	4	R
27	5040AR4195A		ISOLATOR, COMP.	4	R
28	5211A30008D		TUBE ASSEMBLY, CAPILLARY	1	R
29	5403A20001D		CONDENSER ASSEMBLY	1	R
30	5416A20009B		COMPRESSOR, RECIPRO	1	R
31	5851A30001A		DRIER ASSEMBLY	1	R
32	5900AD2013A		FAN ASSEMBLY, PROPELLER	1	R
33	6748C-0003C		P.T.C. ASSEMBLY	1	R
34	6750C-0003R		O.L.P.	1	R
35	1NHA0801206		NUT, HEXAGON (1)	4	R
36	4H02861A		FAN NUT	1	R

i S: SERVICE PARTS A: ALTERNATE PARTS N: NOT SERVICE PARTS